

Private Label
Branding
Available!

UNIQUE, INNOVATIVE AND POWERFUL

Powerful spot and upholstery cleaning
from Ultimate Solutions



3-GALLON SPOT EXTRACTOR
55 PSI Pump with 100 CFM Motor

TOP ACCESSORIES



10-0455

Stainless Steel Wand with
Blue 3000 PSI Hose and
#2 Jet



10-0501

4" Stainless Steel
Upholstery Tool
(External)



10-0500-E

4" Clear View
Upholstery Tool
(External)



10-0450-A

7-Foot Vacuum
and Solution Hoses
(External)



10-0508

4" Stainless Steel
Upholstery Tool with
Clear View Head
(External)



Manufactured with
Pride in the U.S.A.



ULTIMATE SOLUTIONS
Together We're Better!

**CALL US TODAY IF YOU HAVE ANY QUESTIONS,
OR WOULD LIKE TO PLACE AN ORDER!**

Ultimate Solutions | Sandia Products
15571 Container Lane, Huntington Beach, CA 92649
Phone: 800-983-5834 | Fax: 714-901-8404
www.us-group.com | www.sandiaplastics.com

Another Innovative
Product from:

Sandia
PRODUCTS
Your Ultimate Choice in
Profitable Cleaning Performance!

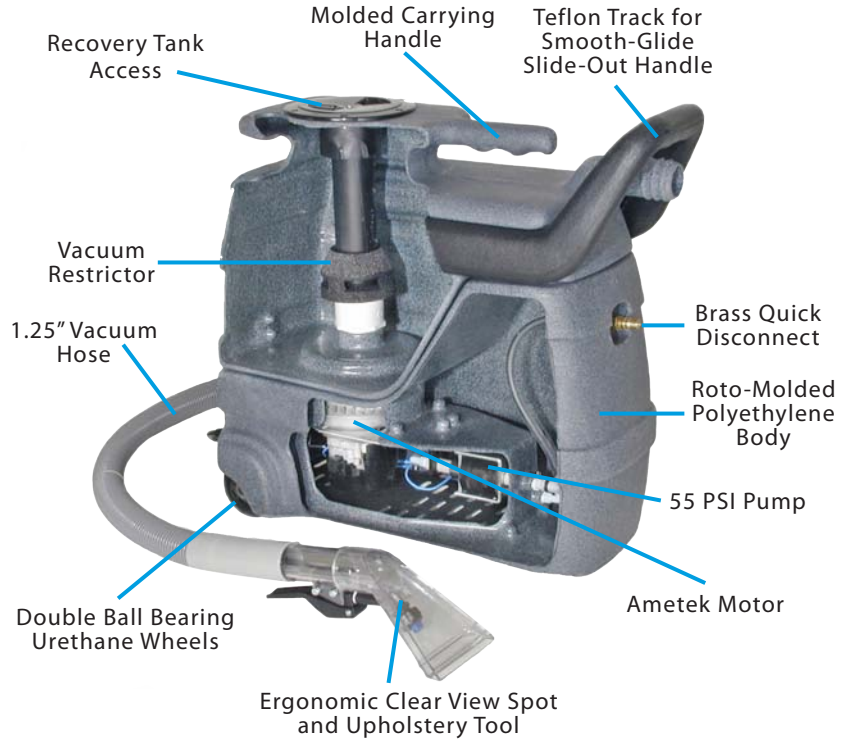
SEE THE BENEFITS of the 3-Gallon Spot Extractor

Warranty: Lifetime on body, 2-years on motor and pump, 1-year on all electrical components, 90-days on tools and accessories.

- The Spot Extractor offers fast, efficient spot cleaning of carpets, rugs and upholstery.
- Lightweight and great for small upholstery and spot cleaning jobs.
- A durable 55 PSI pump delivers extracting solution into the carpet.
- The 2-stage Ametek 804 Watt / 100 CFM vacuum motor efficiently recovers spent solution and soils which allows for faster carpet drying.
- Includes a smooth-glide slide-out, molded carrying handle and double ball-bearing urethane wheels for easy machine transport.
- Roto-molded polyethylene body withstands the toughest working environments and resist dents, chips and cracks.
- Includes (1) 20-Foot, 16/3-gauge safety power cord.

COMPARE THE FEATURES. COMPARE THE TECHNOLOGY

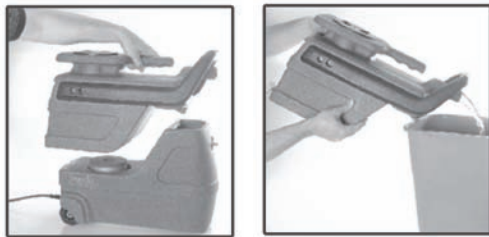
The choice is simple – the Ultimate Solutions Spotter!



ASK ABOUT OUR SUPER SPOT-XTRACT!

The Super Spot Extractor (Model No. 50-3000) includes a 2-stage super motor, that allows for 30% more water lift than our standard model. Feel the power of the Super Spot Extractor and 98.8" of water lift!

TROUBLE-FREE DISPOSAL



The recovery tank separates for clean, easy disposal of spent solution and soils.

SPOT EXTRACTOR KITS

- 50-1000** Spotter with 7 ft. Vacuum and Solution Hoses and 4" Clear View Upholstery Tool
- 50-1001** Spotter with 7 ft. Vacuum and Solution Hoses and 4" Stainless Steel Upholstery Tool
- 50-1002** Spotter Machine Only - No Hoses or Tools

SPECIFICATIONS

3-GALLON SPOT EXTRACTOR

- Tanks:** Roto-Molded Polyethylene, 3-Gallon Solution and 3-Gallon Recovery Tank Capacity
- Solution Pump:** 55 PSI (100 PSI also Available)
- Vacuum Motor:** 2-Stage Ametek, 804 Watt, 100 CFM
- Voltage:** 115 Volts
- Water lift:** 76"
- Power Cord:** (1) 20-Foot, 16/3-Gauge Safety Power Cord
- Dimensions:** 21" L x 10" W x 19" H
- Shipping Weight:** 19 lbs. (Model No. 50-1000)

* 230 Volt Models Available

ACCESSORIES



Includes 4" Clear View Upholstery Tool (Internal)
10-0500-I
Model 50-1000

Includes 7-Foot Vacuum and Solution Hoses (Internal)
10-0450
Model 50-1000

Optional 4" Stainless Steel Upholstery Tool
10-0501

Optional 7-Foot Vacuum and Solution Hose (External)
10-0450-A